



Lauhdutin MCC 405

Kapasiteetti 8,7 kW kylmäteholle
 Ilmamäärä 1950 m³/h
 Virrankulutus 17A / 12V
 8,5A / 24V
 Paino 13 kg

Tilausnumero

L 14 0513	Lauhdutin 405 – 12V
L 14 0514	Lauhdutin 405 – 24V

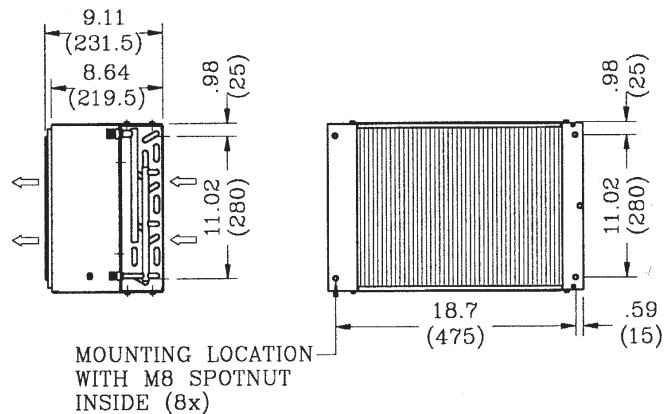
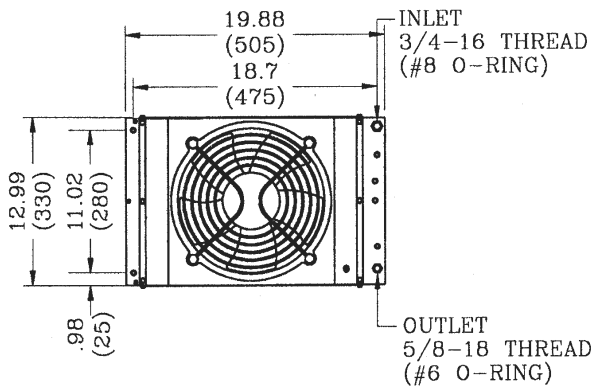
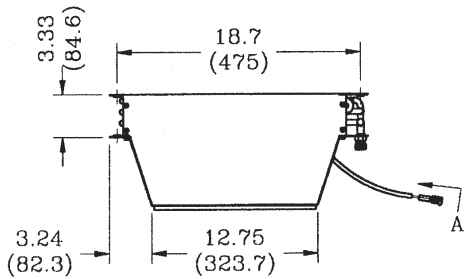
Electrical Connections:

2-way male weather pack connector, packard #12010973 (MCC #31-1068) with male terminal #12124582-L(2x) (MCC #31-1039) and seal #12010293 (2x) (MCC #31-1024)

ORANGE(A) (POS)
 BLACK(B) (GND)



VIEW A



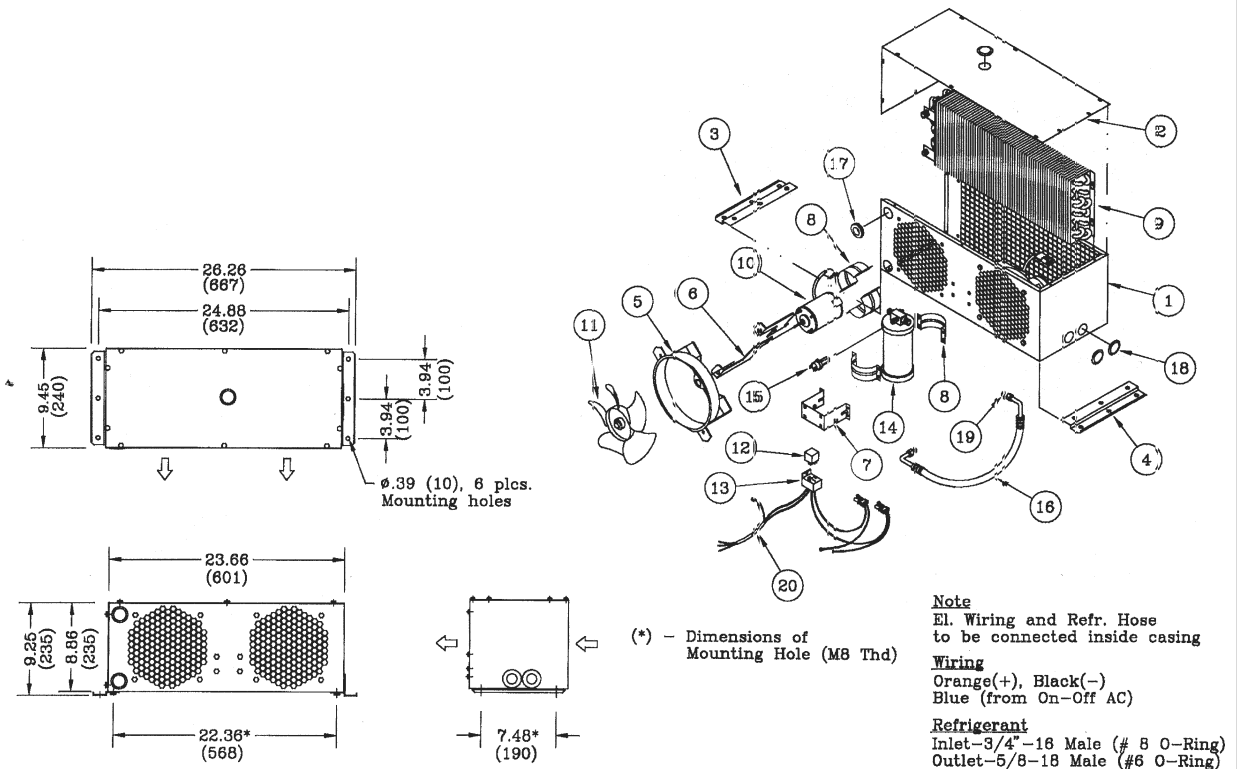


Lauhdutin MCC 406

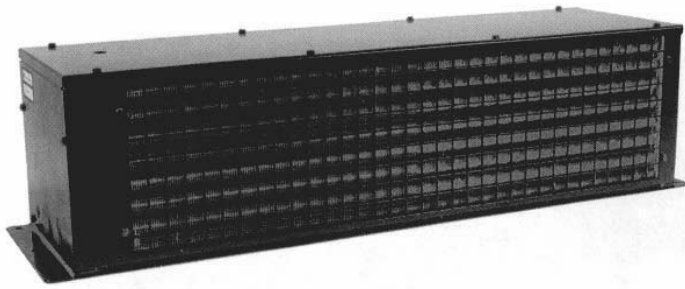
Kapasiteetti 6,9 kW kylmäteholle
 Ilmamäärä 560 m³/h
 Virrankulutus 14A / 12V
 7A / 24V
 Paino 13,6 kg

Tilausnumero

L 14 0611	Lauhdutin 406 – 12V
L 14 0612	Lauhdutin 406 – 24V



Part No.	Description	No.	Part No.	Description	No.	Part No.	Description
14-0611	Condenser 12V	1	24-0145	Casing	11	25-0108	Fan
14-0612	Condenser 24V	2	24-0159	Cover	12	25-0251	Relay 12V
Specifications		3	24-1993	Mounting Bracket (L)		25-0219	Relay 24V
Capacity	-to support a cooling capacity of 23600 Btu/h (6925 W)	4	24-1998	Mounting Bracket (R)	13	25-0221	Socket, Relay
Air Flow	-950 CFM (560 m³/h)	5	25-0309	Venturi Assy.	14	26-0220	Receiver Drier
Current	-14 Amps/13.5V	6	25-0434	Motor Support	15	25-0343	Pressure Switch
	-7 Amps /27V	7	24-0343	Receiver Drier Bracket	16	27-0288	Refr. Hose Assy. #6
Weight	-30 lbs. (13.6 kg)	8	24-0234	Mount	17	28-0005	Grommet
		9	21-0122	Condenser Coil	18	28-0013	Snap-in Plug
		10	25-0470	Motor 12V	19	27-0601	O-Ring #6
			25-0490	Motor 24V	20	25-0451	Wiring Harness



Lauhdutin MCC 408

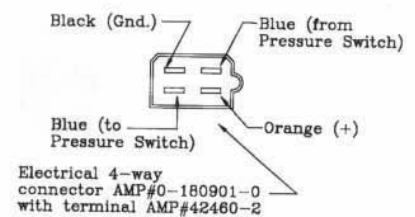
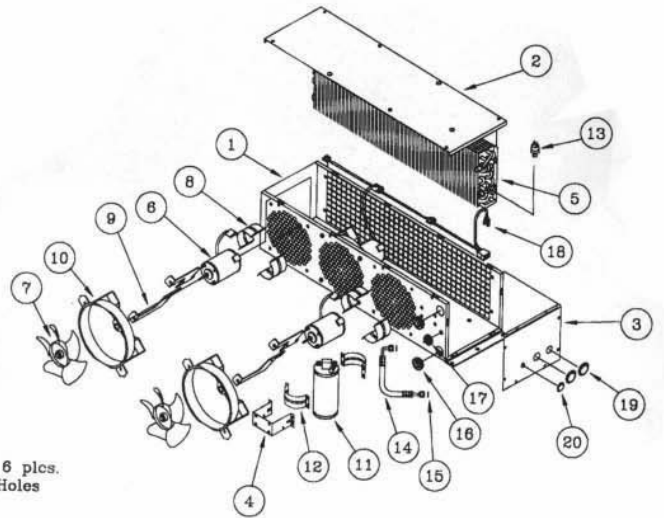
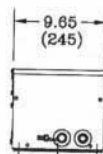
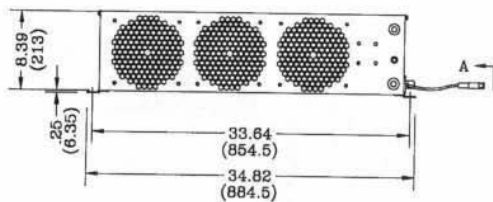
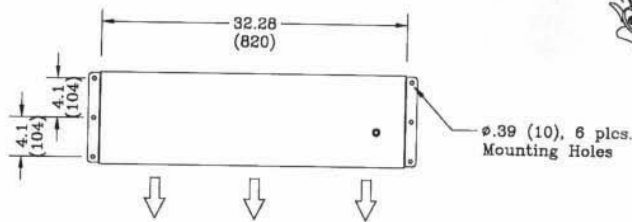
KKapasiteetti 8,5 kW kylmäteholle
 Ilmamäärä 1785 m³/h
 Virrankulutus 20A / 12V
 10A / 24V
 Paino 21,3 kg

Tilausnumero

L 14 0851	Lauhdutin 408 – 12V*
L 14 0852	Lauhdutin 408– 24V*

* Sis. kuivaimen ja painekeytkimen.

L 14 0812	Lauhdutin 408– 24V - Ilman kuivainta ja painekeytkintä.
-----------	--



Electrical 4-way connector AMP#0-180901-0 with terminal AMP#42460-2

View A

Part Descriptions: Specifications

Part No.	Description	No.	Part No.	Description	No.	Part No.	Description
14-0851	Condenser 12V	1	24-0964	Casing	11	26-0219	Receiver Drier
14-0852	Condenser 24V	2	24-0965	Cover	12	25-0297	Mount
Specifications		3	24-0966	Side Cover	13	25-0308	Pressure Switch
Capacity	-to support a cooling capacity of 29000 Btu/h (8500 W)	4	24-0967	Receiver Drier Bracket	14	27-0373	Refrigerant Hose #6
Air Flow	-1050 CFM (1785 m³/h)	5	21-0166	Condenser Coil	15	27-0601	O-Ring #6
Current	-20 Amps/13.5V	6	25-0185	Motor 12V	16	28-0005	Grommet
	-10 Amps/27V	7	25-0190	Motor 24V	17	28-0004	Grommet
Weight	-47 lbs. (21.3 kg)	8	24-0234	Motor Mount	18	25-0450	Wiring Harness
		9	25-0434	Motor Support	19	28-0013	Snap-in Plug
		10	25-0309	Venturi Assy.	20	28-0011	Snap-in Plug

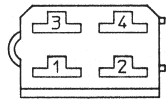
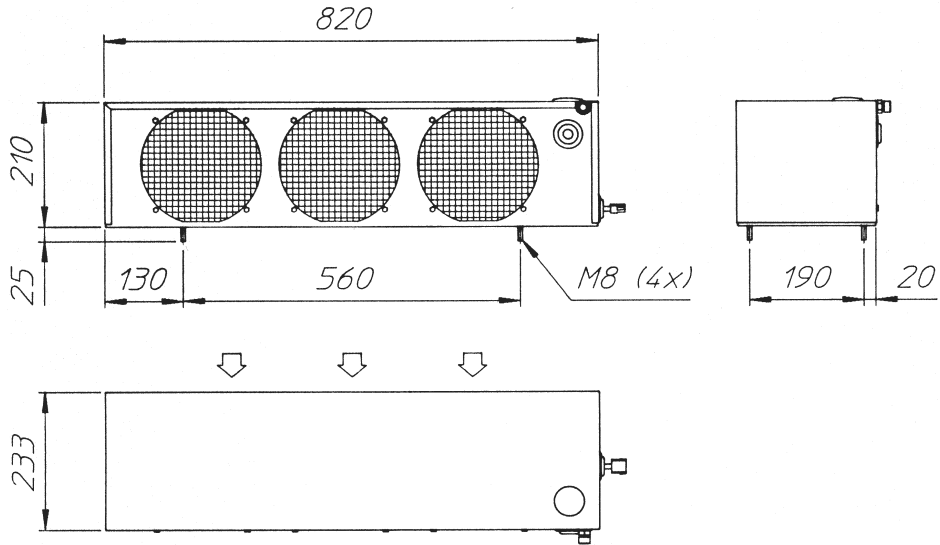


Lauhdutin MCC 627

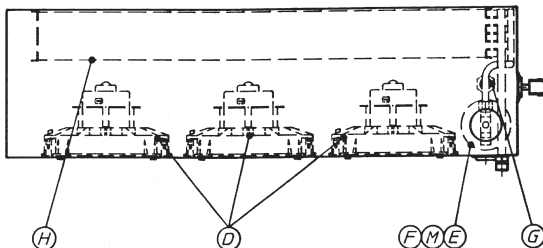
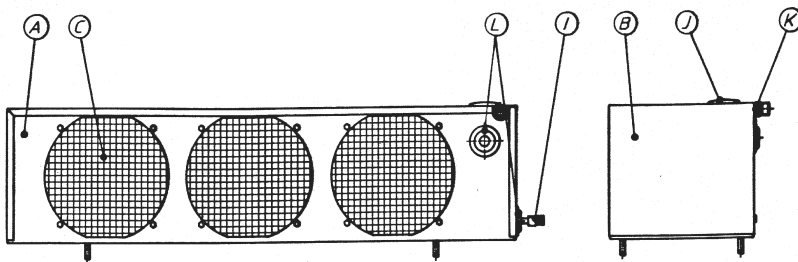
Lauhdutusteho 7,6 kW / 35°C / 14 bar
 Ilmamäärä 1500 m³/h
 Tehontarve 3 x 65W
 Paino 16,5 kg

Tilausnumero

L 16 027 01 950	Lauhdutin 627 – 12V
L 16 027 02 950	Lauhdutin 627 – 24V



1: + Röd/Red
 2: Pressure switch Vit/White
 3: Pressure switch Vit/White
 4: - Svart/Black



M	1	O-ring 5/8"	20.200.00.218
L	2	Grommet Ø35	20.300.00.025
K	1	Grommet Ø19	20.300.00.027
J	1	Cap Ø40	20.300.00.009
I	1	Harness	16.027.00.600
H	1	Condenser coil	20.900.02.051
G	1	Pressure switch high and low	20.100.00.142
F	2	Hose clamp	20.200.00.002
E	1	Receiver dryer	20.900.06.007
D	3	Blower 24V	20.100.00.219
C	1	Grating	16.027.00.003
B	1	Cover	16.027.00.002
A	1	Casing	16.027.00.001
No. Quantity Title/Name, Designation, Material, Operation etc. Designed by: MW Checked by: Approved by - date: 930908 General reference: Article No./Reference: Scale: 1:5			
Klimatsystem Original AB Box 26 761 21 Norrjöle Sweden Phone Int. +46 176 12805 Fax Int. +46 176 23798		Part No. 16.027.02.950 Order Number P3.16.027-3411	